

GENERAL DESCRIPTION

The AV1084 is a positive and low dropout three-terminal voltage regulator with 5A output current capability. This device is designed for use in low voltage applications that offers lower dropout voltage and faster transient response.

This device is fully protected against over current faults, over temperature operation, reversed input polarity, reversed lead insertion, transient voltage spike ...etc.

On-Chips trimming the reference voltage to 1% and features the low dropout of maximum 1.45 volts.

The AV1084 Series regulators are available in the popular industry standard TO-220, TO-263 and TO-252 packages.

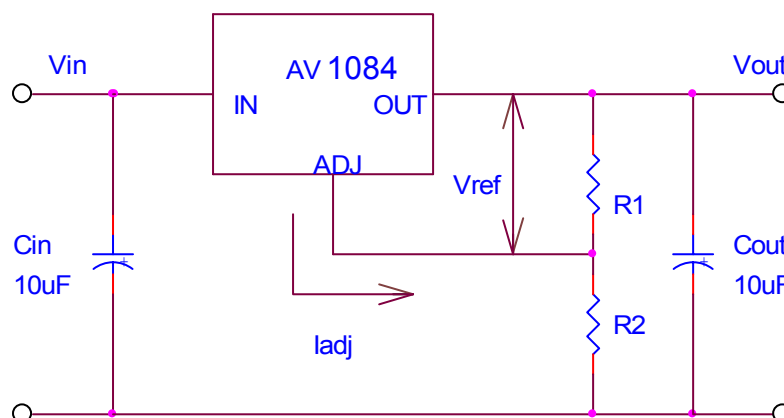
FEATURES

- Very easy to use, it requires only two external resistors to set the output voltage
- Low dropout voltage: 1.2V typical at up to 5A
- Low ground current
- Fast transient response
- Current & thermal limiting
- Line regulation: 0.5% typical
- Load regulation: 0.5% typical
- TO-220, TO-263 and TO-252 packages

APPLICATIONS

- High current microprocessor supplies
- Low voltage logic supply
- Powering VGA & sound card
- Portable instrumentation
- Constant current regulator
- Post regulator for switching power supply

TYPICAL APPLICATION



$$V_o = V_{ref} (1 + R_2/R_1) + I_{adj} \times R_2$$

1. C_{in} needed if device is far from from filter capacitors.
2. C_{out} required for stability.

- Basic Adjustable Regulator Circuit -

ABSOLUTE MAXIMUM RATINGS

● Maximum Supply Voltage	7V	● Operating Junction Temperature Range	0 to 125 °C
● Power Dissipation	Internally Limited	● Storage Temperature Range	-40 to 150 °C
● Thermal Resistance Junction to Case, θ_{JC}	2.5 °C/W	● Lead Temperature (Soldering, 10 Seconds)	260 °C
● Thermal Resistance Junction to Ambient, θ_{JA}			
	TO-220		
	50 °C/W		
	TO-263		
	60 °C/W		
	TO-252		
	70 °C/W		

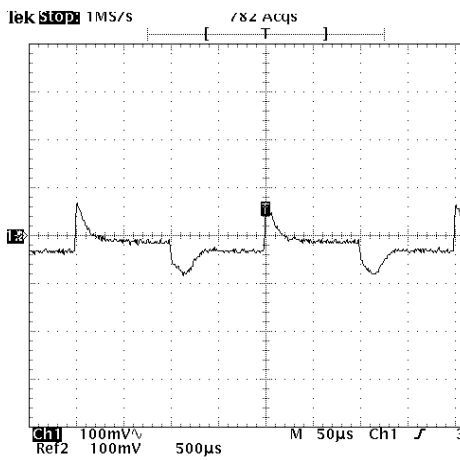
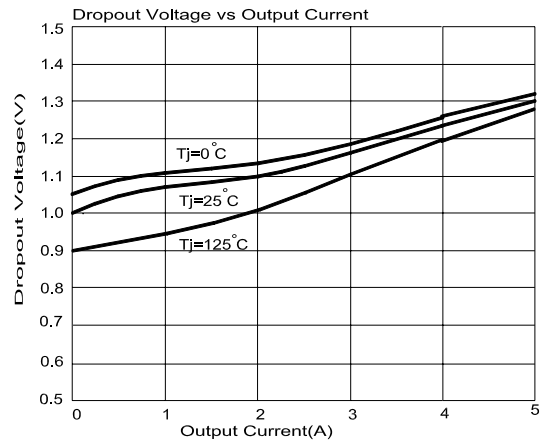
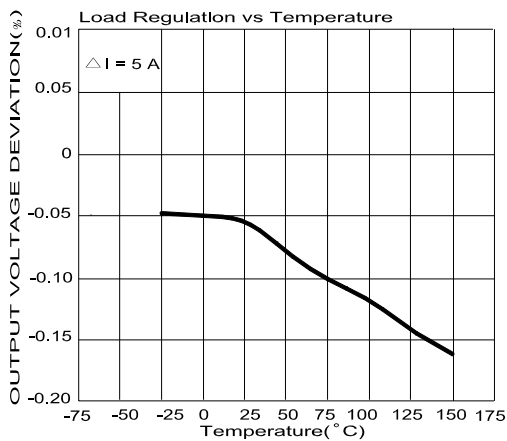
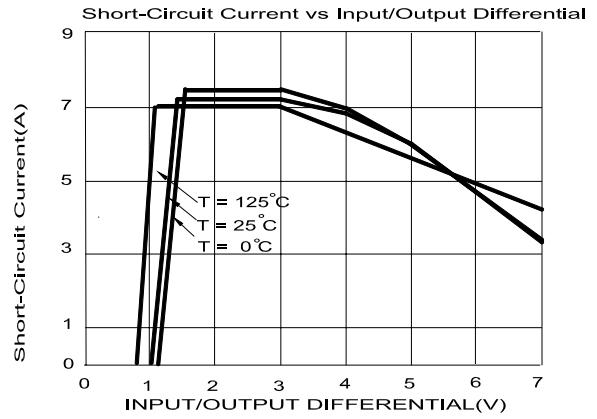
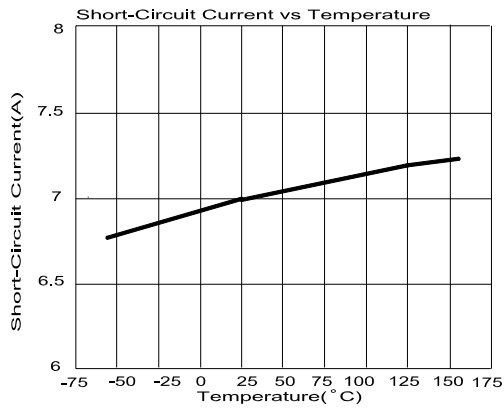
ELECTRICAL CHARACTERISTICS (Unless otherwise specified, $T_A = 25\text{ °C}$.)

Parameter	Symbol	Test Conditions	Typical	Limits
Reference Voltage	V_{REF}	$V_{IN} = 5V, I_{OUT} = 10mA$	1.25V	1.23V _{Min} 1.27V _{Max}
Dropout Voltage	V_D	$\Delta V_{REF} = 1\%, I_{OUT} = 5A$	1.2V	1.45V
Line Regulation	$REG_{(LINE)}$	$(V_{OUT} + 1.5V) \leq V_{IN} \leq 7V, I_{OUT} = 10mA$	0.5%	2%
Load Regulation	$REG_{(LOAD)}$	$(V_{IN} - V_{OUT}) = 3V, 10mA \leq I_{OUT} \leq 5A$	0.5%	2.5%
Minimum Load Current	I_O	$1.5V \leq (V_{IN} - V_{OUT}) \leq 5.75V$	10mA	
Adjust Pin Current	I_{ADJ}		55 μ A	100 μ A
Current Limit	I_{CL}	$V_{IN} - V_{OUT} = 2V$	7.5A	5.0A (Min)
RMS Output Noise	V_N		0.003% of V_{OUT}	
Ripple Rejection Ratio	R_A	$f = 120Hz, C_{ADJ} = 22\mu F$ for ADJ pin, $V_{IN} = 5V, I_{OUT} = 5A$	72dB	60dB (Min)

DEVICE SELECTION GUIDE

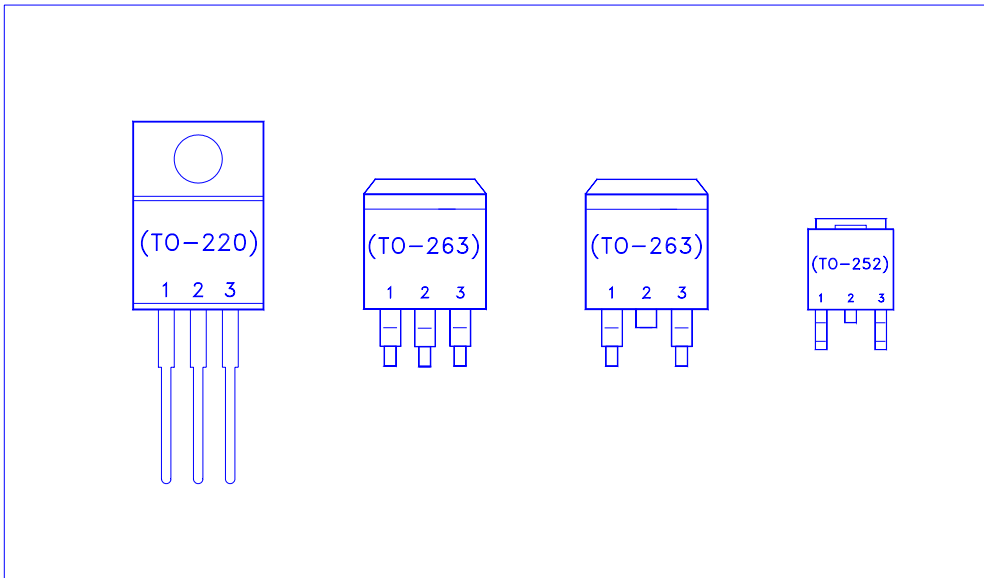
Device	AV1084D	AV1084S	AV1084S3	AV1084T
Package	TO-252	TO-263 (2-Lead)	TO-263 (3-Lead)	TO-220
Marking	AV1084D	AV1084S	AV1084S3	AV1084T

Typical Performance Characteristics



V_{out}=3.3V, V_{in}=5V, I_{out}=105mA/5A
C_{in}=10 µ F, C_{out}=10 µ F

PIN CONFIGURATIONS

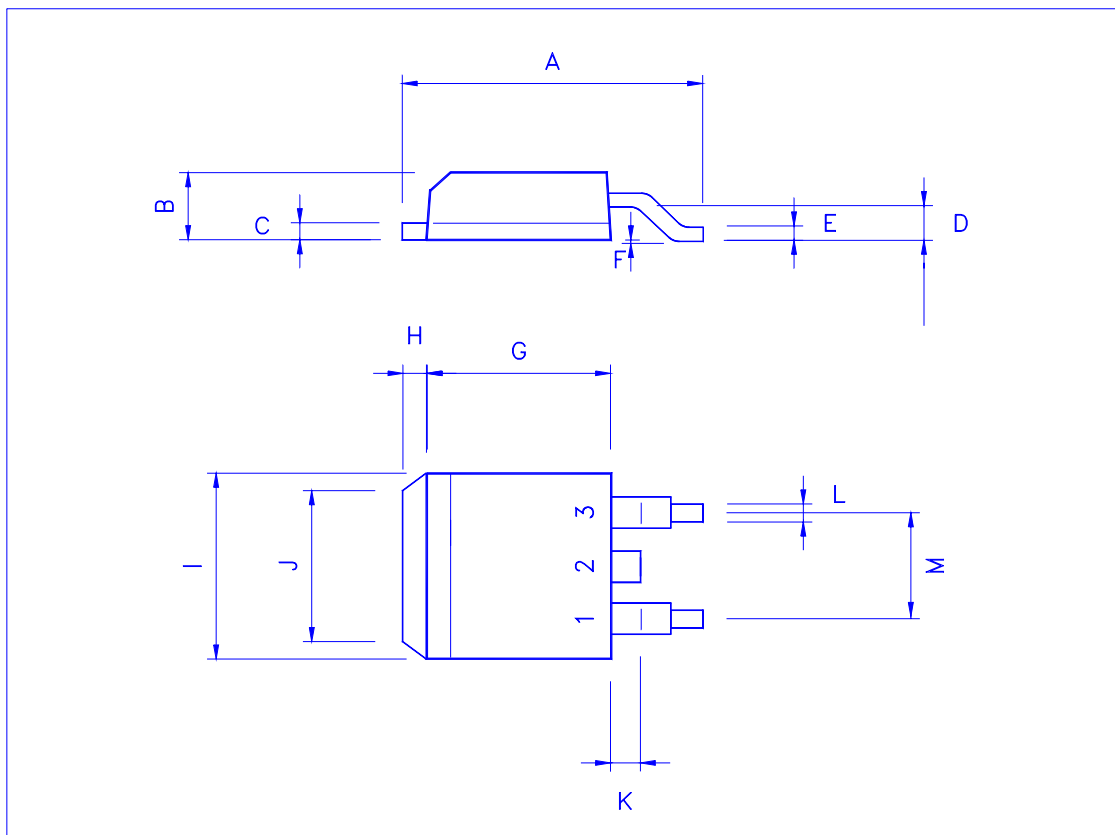


Pin #	Function
1	Adjust
2	Output
3	Input

Note: TAB is Output Pin

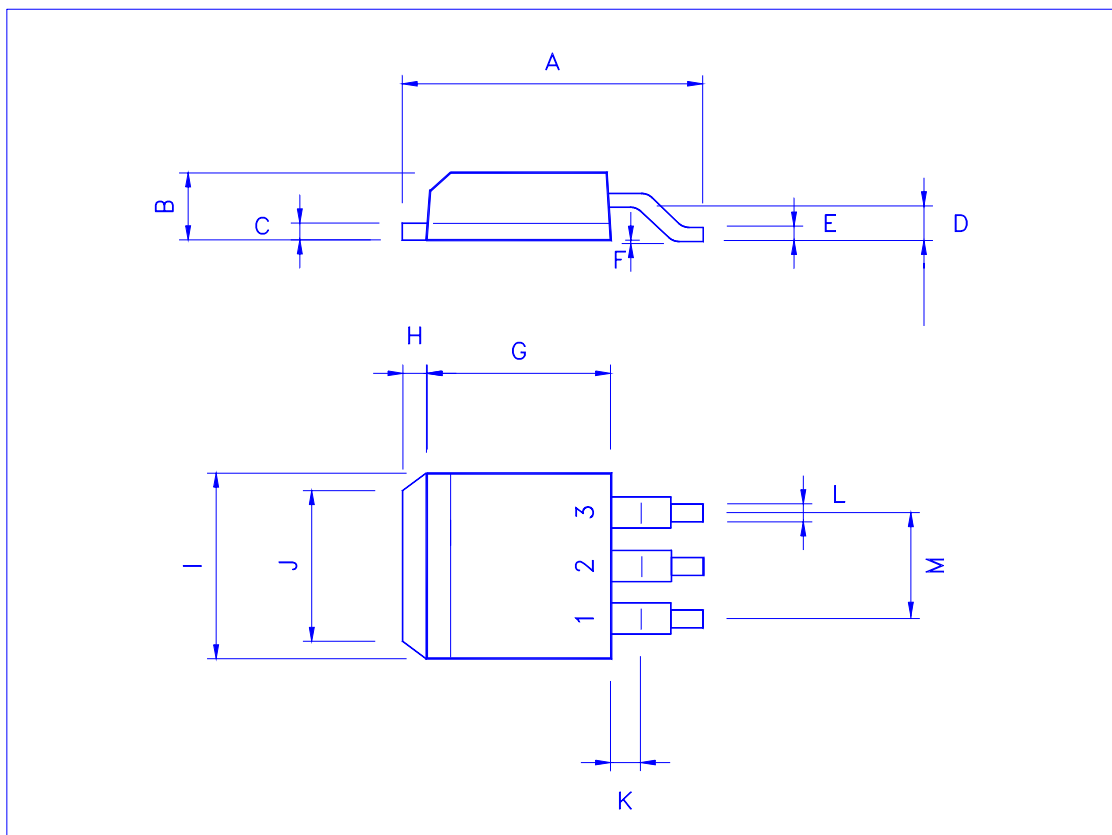
TO-263 (D²PAK) MECHANICAL DATA

Dimension	mm			Dimension	mm		
	Min.	Typ.	Max.		Min.	Typ.	Max.
A	14.5	15	15.8	H	1.0	1.5	1.8
B	4.2		4.7	I	9.8		10.3
C	1.20		1.35	J		6.5	
D		2.8		K		1.5	
E	0.3	0.4	0.5	L	0.7		1.4
F	-0.102		0.203	M	4.83	5.08	5.33
G	8.5	9	9.5	N			



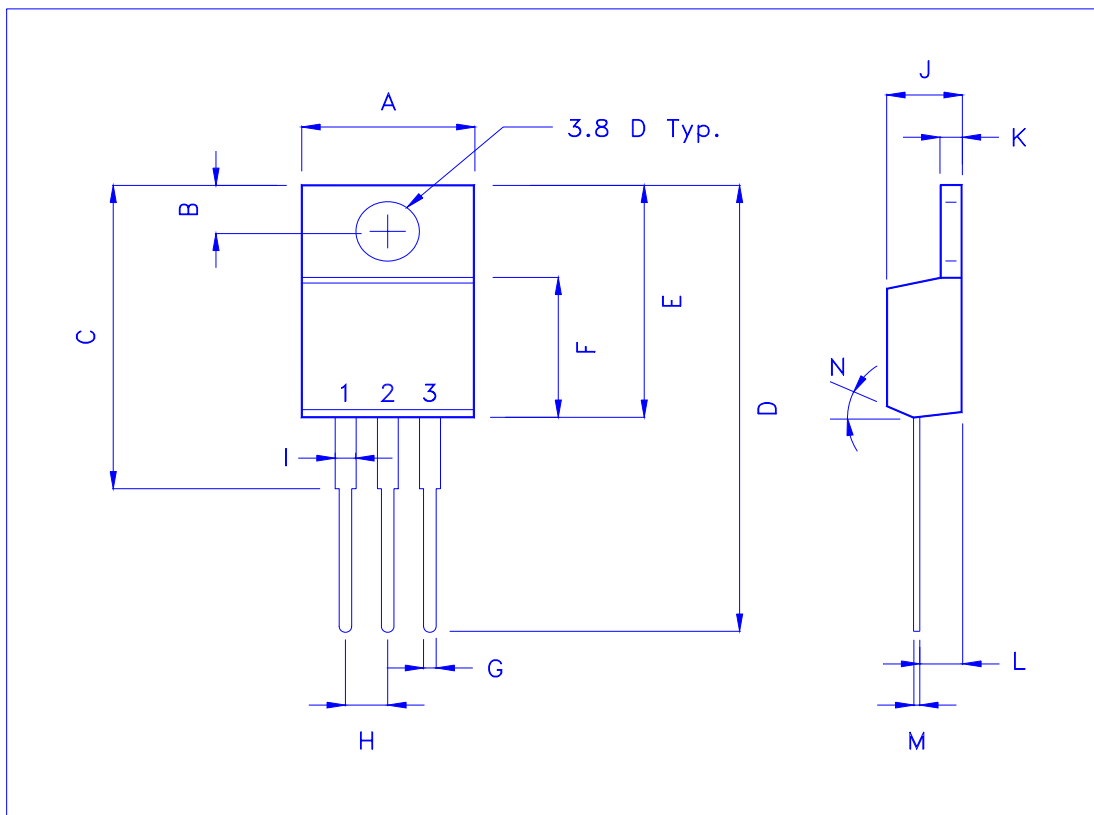
TO-263 (D²PAK) MECHANICAL DATA

Dimension	mm			Dimension	mm		
	Min.	Typ.	Max.		Min.	Typ.	Max.
A	14.5	15	15.8	H	1.0	1.5	1.8
B	4.2		4.7	I	9.8		10.3
C	1.20		1.35	J		6.5	
D		2.8		K		1.5	
E	0.3	0.4	0.5	L	0.7		1.4
F	-0.102		0.203	M	4.83	5.08	5.33
G	8.5	9	9.5	N			



TO-220 (3-Lead) MECHANICAL DATA

Dimension	mm			Dimension	mm		
	Min.	Typ.	Max.		Min.	Typ.	Max.
A	9.78	10.16	10.54	H	2.4	2.54	2.68
B	2.61	2.74	2.87	I	1.19	1.27	1.35
C		20		J	4.4	4.6	4.8
D	28.5	28.9	29.3	K	1.14	1.27	1.4
E	14.6	15.0	15.4	L	2.3	2.6	2.9
F	8.4	8.8	9.2	M	0.26	0.46	0.66
G	0.72	0.8	0.88	N		7°	



TO-252 (DPAK) MECHANICAL DATA

Dimension	mm			Dimension	mm		
	Min.	Typ.	Max.		Min.	Typ.	Max.
A	9.35		10.1	H		0.8	
B	2.2		2.4	I	6.4		6.6
C	0.48		0.6	J	5.2		5.4
D	0.89		1.5	K	0.6		1
E	0.45		0.6	L	0.64		0.9
F	0.03		0.23	M	4.4		4.6
G	6		6.2	N			

